



FIT-LINE[®]
GLOBAL

NexusConnect[®]

Ultra High Pure PFA Insert Fittings



For more information, please visit: Fit-LineGlobal.com



TABLE OF CONTENTS

Nexus Connect Introduction	3	Union Tee Reducer	14
Acceptable Operating Range.....	4	Union Tee (TightINSERT) Branch.....	15
Male Connector.....	5	Union Tee (TightINSERT) Run.....	16
Straight Union.....	6	Union Tee (TightINSERT) Branch-Run.....	17
Straight Union Reducer	7	Union Tee (TightINSERT) Run-Run	18
Straight Union Panel Mount	8	Union Tee (TightINSERT) All.....	19
Straight Union Panel Mount Reducer	9	Union Tee Reducer (TightINSERT) All.....	19
Tube Union (TightINSERT)	9	Male Branch Tee	20
Male Elbow	10	Insert Nut	21
Union Elbow.....	10	Sleeve.....	21
Union Elbow Reducer	11	Weld Straight Connector.....	22
Union Elbow Panel Mount.....	11	Weld Straight Connector (TightINSERT).....	22
Union Elbow (TightINSERT) Run.....	12	Cap.....	23
Union Elbow (TightINSERT) All	12	Cap Sleeve	23
Union Elbow Reducer (TightINSERT) All.....	13	Nexus Connect Torque Wrenches.....	24
Union Elbow Sweep	13	Nexus Connect Operating Instructions.....	25
Union Tee	14	The Fit-Line Story	26-27

All dimensions are in inches and for reference only.

ROBUST HIGH-PURITY PFA FITTINGS FOR CORROSIVE CHEMICAL APPLICATIONS

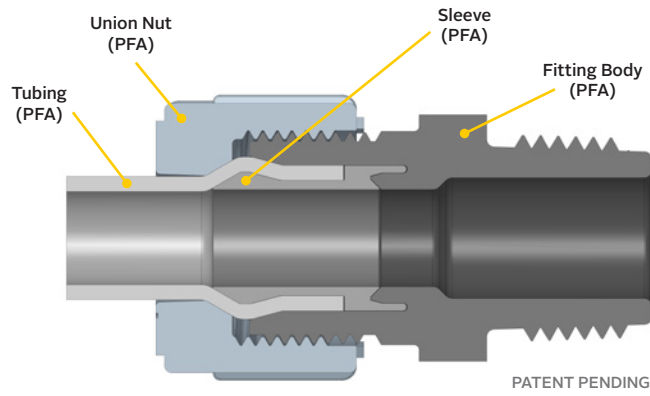
Nexus Connect fittings are designed and manufactured to Fit-Line Global's high quality requirements to ensure safe, reliable, leak-free connections. As a result, they are a strong choice for use in high-purity and corrosive chemical semiconductor applications.

FEATURES AND BENEFITS

- **High Purity Components**
All components are molded from virgin ultra-high purity PFA material and cleaned using a proprietary 5-stage washing system within a certified class 1000 clean room.
- **Temperature**
All sizes 1/4" through 1" are capable of 392°F (200°C) rating.
- **Compatibility**
Nexus Connect fittings are compatible and interchangeable with competing wet-insert style fittings.
- **Ease of Assembly**
Industry proven TruFASTEN® Torque Wrenches have been designed to work with Nexus Connect fittings to ensure repeatable leak-free fitting connections.
- **Packaging**
Each fitting is double poly bagged inside a certified class 1000 clean room per SEMI 57-0120. Inner poly bag is antistatic and meets specification IEST-CC-1246E, cleanliness level 100.
- **Traceability**
Fittings are traceable from raw material, manufacturing, to packaging, per SEMI 57-0120. Each fitting is labeled with part number, description, and lot number.

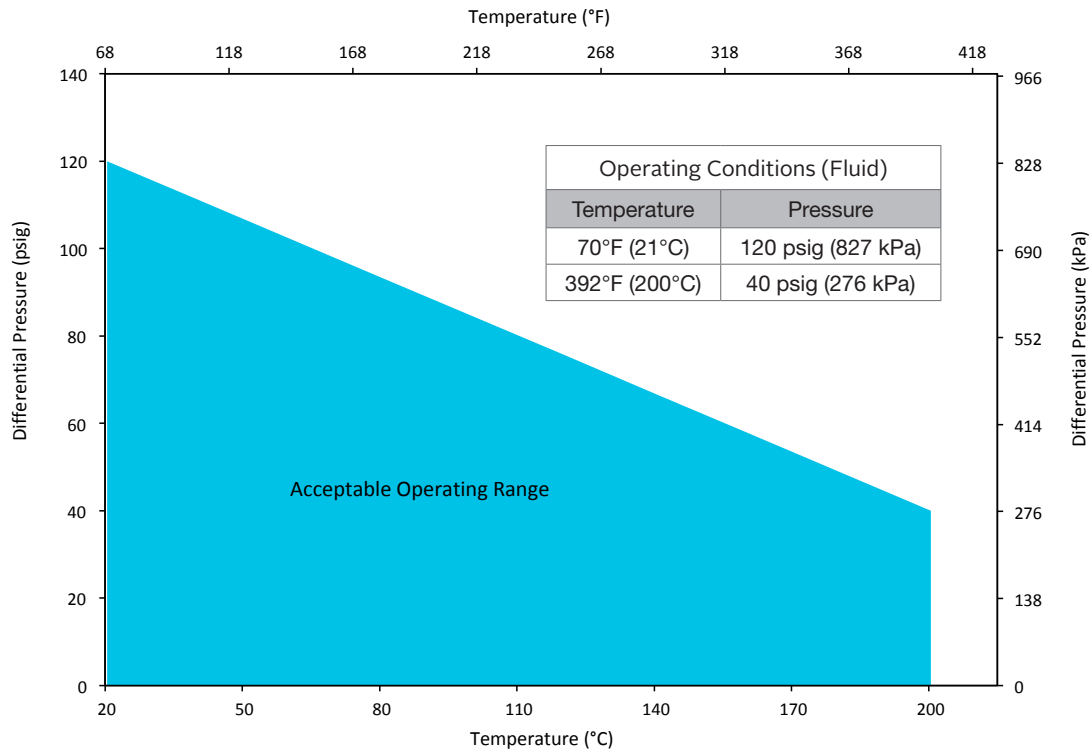
SEMICONDUCTOR APPLICATIONS


- Bulk chemical and slurry delivery
- Chemical and slurry blend and distribution
- Chemical-Mechanical Polishing (CMP)
- High-temperature wet cleaning processes
- Photolithography
- Wet etching




PATENT PENDING

Acceptable Operating Range

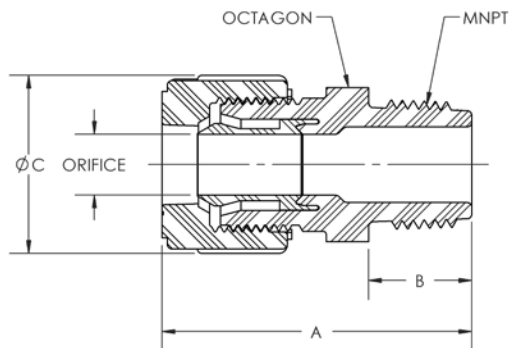


 Specifications			
Materials	Fitting Body	Sleeve	Union Nut
	PFA	PFA	PFA

 Semi 57-0120 Compliant		
Surface Extractables	Ionic Contamination	Passed
	Metallic Contamination	Passed
	TOC	Passed
Surface Roughness	Ra max. Value $\leq 0.35 \mu\text{m}$	Passed

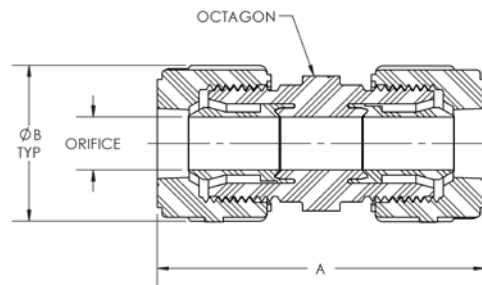
Acceptable PFA Tube Dimensions		
Tube Size	O.D.	Thickness
1/4" x 5/32"	0.250 ± 0.004	0.047 ± 0.004
3/8" x 1/4"	0.375 ± 0.005	0.063 ± 0.005
1/2" x 3/8"	0.500 ± 0.005	0.063 ± 0.005
3/4" x 5/8"	0.750 ± 0.005	0.063 ± 0.005
1" x 7/8"	1.000 ± 0.008	0.063 ± 0.005

Male Connector (Male x MNPT)							
Part No.	Tube Size	MNPT Size	Orifice	A	B	C	Octagon
NX-MC4-2N-3	1/4" x 5/32"	1/8"	0.16	1.36	0.37	0.68	0.59
NX-MC4-4N-3	1/4" x 5/32"	1/4"	0.16	1.51	0.52	0.68	0.59
NX-MC4-6N-3	1/4" x 5/32"	3/8"	0.16	1.51	0.52	0.68	0.59
NX-MC4-8N-3	1/4" x 5/32"	1/2"	0.16	1.67	0.64	0.68	0.91
NX-MC6-2N-3	3/8" x 1/4"	1/8"	0.20	1.57	0.37	0.97	0.83
NX-MC6-4N-3	3/8" x 1/4"	1/4"	0.25	1.75	0.55	0.97	0.83
NX-MC6-6N-3	3/8" x 1/4"	3/8"	0.31	1.74	0.55	0.97	0.83
NX-MC6-8N-3	3/8" x 1/4"	1/2"	0.31	1.87	0.67	0.97	0.83
NX-MC6-12N-3	3/8" x 1/4"	3/4"	0.31	1.91	0.67	0.97	1.10
NX-MC8-4N-3	1/2" x 3/8"	1/4"	0.25	1.90	0.55	1.16	1.00
NX-MC8-6N-3	1/2" x 3/8"	3/8"	0.39	1.89	0.55	1.16	1.00
NX-MC8-8N-3	1/2" x 3/8"	1/2"	0.39	2.01	0.67	1.16	1.00
NX-MC8-12N-3	1/2" x 3/8"	3/4"	0.39	2.11	0.77	1.16	1.00
NX-MC8-16N-3	1/2" x 3/8"	1"	0.39	2.33	0.87	1.16	1.38
NX-MC12-6N-3	3/4" x 5/8"	3/8"	0.39	2.26	0.55	1.56	1.32
NX-MC12-8N-3	3/4" x 5/8"	1/2"	0.49	2.39	0.68	1.56	1.32
NX-MC12-12N-3	3/4" x 5/8"	3/4"	0.63	2.48	0.77	1.56	1.32
NX-MC12-16N-3	3/4" x 5/8"	1"	0.63	2.64	0.92	1.56	1.32
NX-MC16-8N-3	1" x 7/8"	1/2"	0.49	2.80	0.76	1.97	1.69
NX-MC16-12N-3	1" x 7/8"	3/4"	0.71	2.93	0.89	1.97	1.69
NX-MC16-16N-3	1" x 7/8"	1"	0.87	3.01	0.98	1.97	1.69



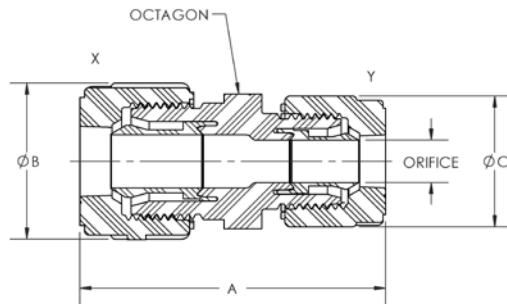
All dimensions are in inches and for reference only.

Straight Union (Male x Male)					
Part No.	Tube Size	Orifice	A	B	Octagon
NX-SU44N-3	1/4" x 5/32"	0.16	1.71	0.68	0.59
NX-SU66N-3	3/8" x 1/4"	0.31	2.13	0.97	0.83
NX-SU88N-3	1/2" x 3/8"	0.39	2.43	1.16	1.00
NX-SU1212N-3	3/4" x 5/8"	0.63	3.04	1.56	1.32
NX-SU1616N-3	1" x 7/8"	0.87	3.68	1.97	1.69

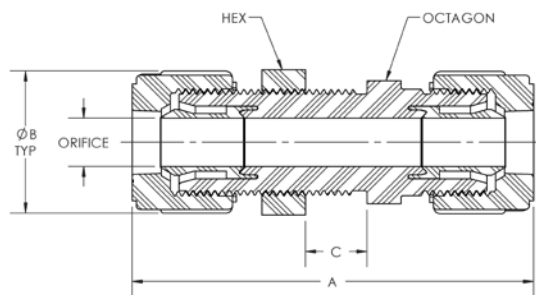


All dimensions are in inches and for reference only.

Straight Union Reducer (Male x Male)							
Part No.	X Tube Size	Y Tube Size	Orifice	A	B	C	Octagon
NX-SU64N-3	3/8" x 1/4"	1/4" x 5/32"	0.16	1.92	0.97	0.68	0.83
NX-SU84N-3	1/2" x 3/8"	1/4" x 5/32"	0.16	2.06	1.16	0.68	1.00
NX-SU86N-3	1/2" x 3/8"	3/8" x 1/4"	0.31	2.27	1.16	0.97	1.00
NX-SU126N-3	3/4" x 5/8"	3/8" x 1/4"	0.31	2.64	1.56	0.97	1.32
NX-SU128N-3	3/4" x 5/8"	1/2" x 3/8"	0.39	2.79	1.56	1.16	1.32
NX-SU168N-3	1" x 7/8"	1/2" x 3/8"	0.39	3.20	1.97	1.16	1.69
NX-SU1612N-3	1" x 7/8"	3/4" x 5/8"	0.63	3.47	1.97	1.56	1.69

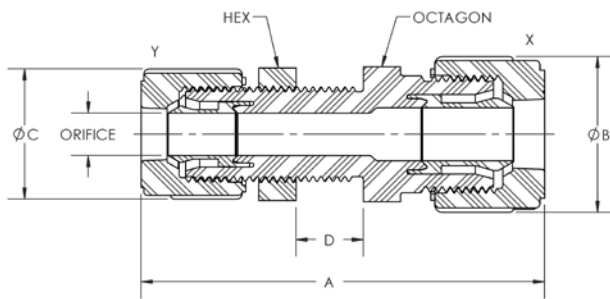


Straight Union Panel Mount (Male x Male)								
Part No.	Tube Size	Orifice	A	B	C (Max)	Hex	Octagon	Min Panel Hole Dia
NX-SPM44N-3	1/4" x 5/32"	0.16	2.43	0.68	0.50	0.75	0.59	0.49
NX-SPM66N-3	3/8" x 1/4"	0.31	2.85	0.97	0.50	0.98	0.83	0.73
NX-SPM88N-3	1/2" x 3/8"	0.39	3.26	1.16	0.50	1.18	1.00	0.89
NX-SPM1212N-3	3/4" x 5/8"	0.63	3.76	1.56	0.50	1.50	1.32	1.22
NX-SPM1616N-3	1" x 7/8"	0.87	4.41	1.97	0.50	1.89	1.69	1.61

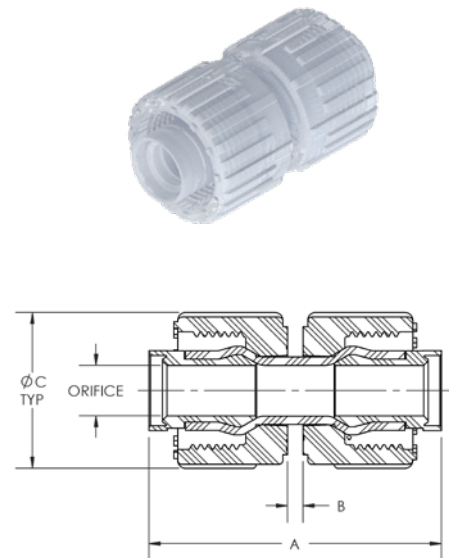


All dimensions are in inches and for reference only.

Straight Union Panel Mount Reducer (Male x Male)										
Part No.	X Tube Size	Y Tube Size	Orifice	A	B	C	D (Max)	Hex	Octagon	Min Panel Hole Dia
NX-SPM64N-3	3/8" x 1/4"	1/4" x 5/32"	0.16	2.63	0.97	0.68	0.50	0.75	0.83	0.49
NX-SPM84N-3	1/2" x 3/8"	1/4" x 5/32"	0.16	2.78	1.16	0.68	0.50	0.75	1.00	0.49
NX-SPM86N-3	1/2" x 3/8"	3/8" x 1/4"	0.31	2.99	1.16	0.97	0.50	0.98	1.00	0.73
NX-SPM126N-3	3/4" x 5/8"	3/8" x 1/4"	0.31	3.36	1.56	0.97	0.50	0.98	1.32	0.73
NX-SPM128N-3	3/4" x 5/8"	1/2" x 3/8"	0.39	3.62	1.56	1.16	0.50	1.18	1.32	0.89
NX-SPM1612N-3	1" x 7/8"	3/4" x 5/8"	0.63	4.08	1.97	1.56	0.50	1.50	1.69	1.22

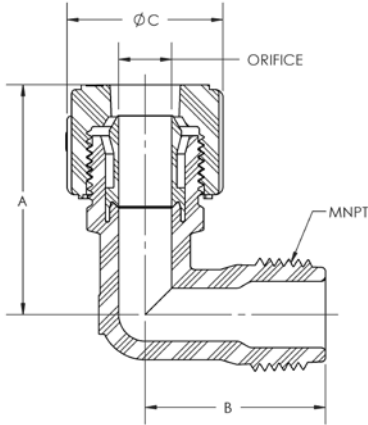


Tube Union (TightINSERT) (Female x Female)					
Part No.	Connection Size	Orifice	A	B	C
NX-TU4N-3-143	1/4"	0.16	1.43	0.12	0.68
NX-TU6N-3-175	3/8"	0.25	1.75	0.14	0.97
NX-TU8N-3-217	1/2"	0.38	2.17	0.11	1.16
NX-TU12N-3-250	3/4"	0.63	2.50	0.04	1.56
NX-TU16N-3-307	1"	0.87	3.07	0.16	1.97

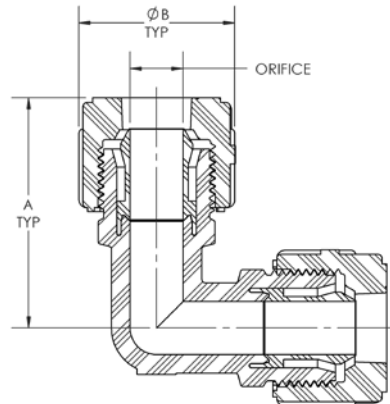


NexusConnect®

Fittings



Male Elbow (Male x MNPT)						
Part No.	Tube Size	MNPT Size	Orifice	A	B	C
NX-ME4-2N-3	1/4" x 5/32"	1/8"	0.16	1.14	0.83	0.68
NX-ME4-4N-3	1/4" x 5/32"	1/4"	0.16	1.14	0.98	0.68
NX-ME4-6N-3	1/4" x 5/32"	3/8"	0.16	1.14	1.04	0.68
NX-ME6-4N-3	3/8" x 1/4"	1/4"	0.25	1.49	1.10	0.97
NX-ME6-6N-3	3/8" x 1/4"	3/8"	0.31	1.49	1.10	0.97
NX-ME6-8N-3	3/8" x 1/4"	1/2"	0.31	1.49	1.26	0.97
NX-ME8-6N-3	1/2" x 3/8"	3/8"	0.39	1.71	1.18	1.16
NX-ME8-8N-3	1/2" x 3/8"	1/2"	0.39	1.71	1.34	1.16
NX-ME8-12N-3	1/2" x 3/8"	3/4"	0.39	1.71	1.41	1.16
NX-ME12-8N-3	3/4" x 5/8"	1/2"	0.47	2.14	1.50	1.56
NX-ME12-12N-3	3/4" x 5/8"	3/4"	0.63	2.14	1.57	1.56
NX-ME12-16N-3	3/4" x 5/8"	1"	0.63	2.14	1.57	1.56
NX-ME16-12N-3	1" x 7/8"	3/4"	0.87	2.57	1.77	1.97
NX-ME16-16N-3	1" x 7/8"	1"	0.87	2.57	1.93	1.97

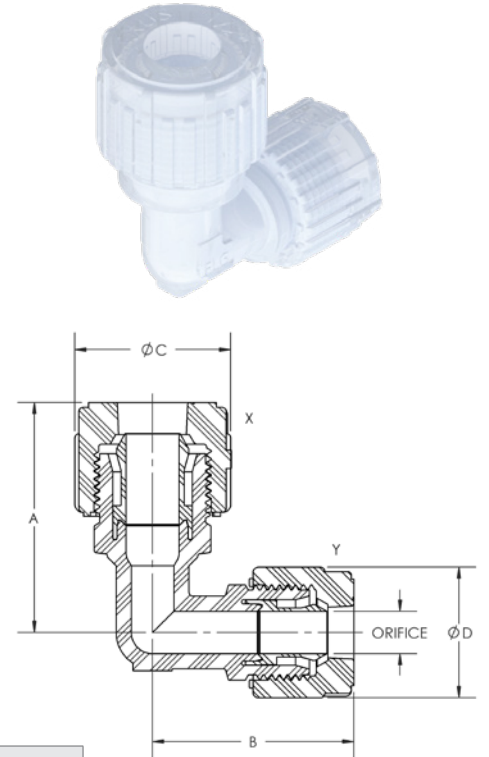


Union Elbow (Male x Male)				
Part No.	Tube Size	Orifice	A	B
NX-UE44N-3	1/4" x 5/32"	0.16	1.14	0.68
NX-UE66N-3	3/8" x 1/4"	0.31	1.49	0.97
NX-UE88N-3	1/2" x 3/8"	0.39	1.71	1.16
NX-UE1212N-3	3/4" x 5/8"	0.63	2.14	1.56
NX-UE1616N-3	1" x 7/8"	0.87	2.57	1.97

All dimensions are in inches and for reference only.

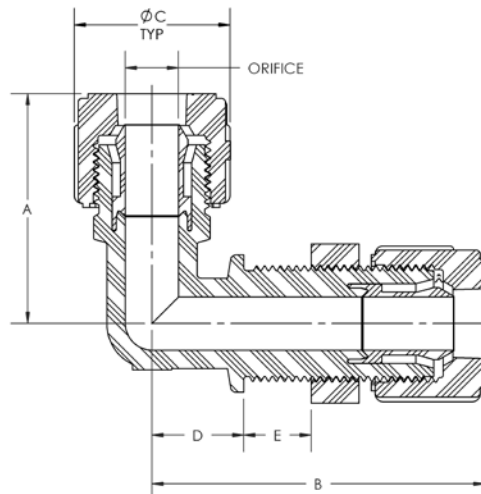
Union Elbow Reducer
(Male x Male)

Part No.	X Tube Size	Y Tube Size	Orifice	A	B	C	D
NX-UE64N-3	3/8" x 1/4"	1/4" x 5/32"	0.16	1.49	1.14	0.97	0.68
NX-UE84N-3	1/2" x 3/8"	1/4" x 5/32"	0.16	1.71	1.14	1.16	0.68
NX-UE86N-3	1/2" x 3/8"	3/8" x 1/4"	0.31	1.71	1.49	1.16	0.97
NX-UE126N-3	3/4" x 5/8"	3/8" x 1/4"	0.31	2.14	1.49	1.56	0.97
NX-UE128N-3	3/4" x 5/8"	1/2" x 3/8"	0.39	2.14	1.71	1.56	1.16
NX-UE168N-3	1" x 7/8"	1/2" x 3/8"	0.39	2.57	1.71	1.97	1.16
NX-UE1612N-3	1" x 7/8"	3/4" x 5/8"	0.63	2.57	2.14	1.97	1.56



Union Elbow Panel Mount
(Male x Male)

Part No.	Tube Size	Orifice	A	B	C	D	E (Max)	Hex	Min Panel Hole Dia
NX-EPMX44N-3	1/4" x 5/32"	0.16	1.14	1.92	0.68	0.49	0.50	0.75	0.49
NX-EPMX66N-3	3/8" x 1/4"	0.31	1.49	2.25	0.97	0.62	0.50	0.98	0.73
NX-EPMX88N-3	1/2" x 3/8"	0.39	1.71	2.47	1.16	0.68	0.50	1.18	0.89
NX-EPMX1212N-3	3/4" x 5/8"	0.63	2.14	2.80	1.56	0.84	0.50	1.50	1.22
NX-EPMX1616N-3	1" x 7/8"	0.87	2.57	3.15	1.97	1.06	0.50	1.89	1.61

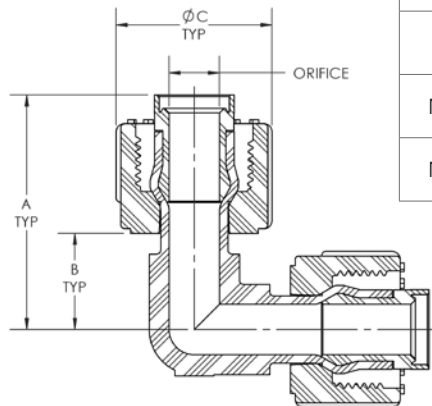
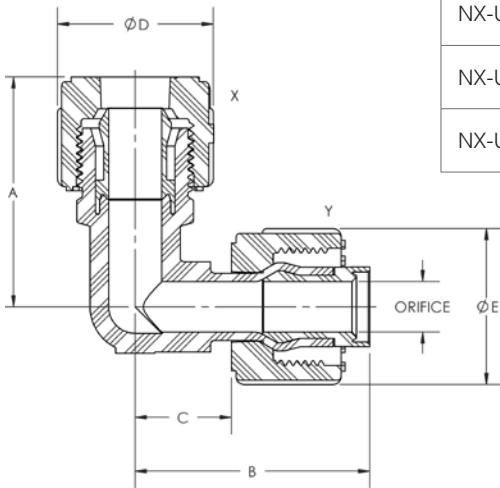


NexusConnect®

Fittings

Union Elbow (TightINSERT) Run (Male x Female)

Part No.	X Tube Size	Y Connection Size	Orifice	A	B	C	D	E
NX-UE44TN-3	1/4" x 5/32"	1/4"	0.16	1.14	1.15	0.50	0.68	0.68
NX-UE64TN-3	3/8" x 1/4"	1/4"	0.16	1.49	1.15	0.50	0.97	0.68
NX-UE66TN-3	3/8" x 1/4"	3/8"	0.25	1.49	1.48	0.68	0.97	0.97
NX-UE86TN-3	1/2" x 3/8"	3/8"	0.25	1.71	1.48	0.68	1.16	0.97
NX-UE88TN-3	1/2" x 3/8"	1/2"	0.38	1.71	1.74	0.71	1.16	1.16
NX-UE128TN-3	3/4" x 5/8"	1/2"	0.38	2.14	1.74	0.71	1.56	1.16
NX-UE1212TN-3	3/4" x 5/8"	3/4"	0.63	2.14	2.11	0.88	1.56	1.56
NX-UE1612TN-3	1" x 7/8"	3/4"	0.63	2.57	2.11	0.88	1.97	1.56
NX-UE1616TN-3	1" x 7/8"	1"	0.87	2.57	2.56	1.10	1.97	1.97



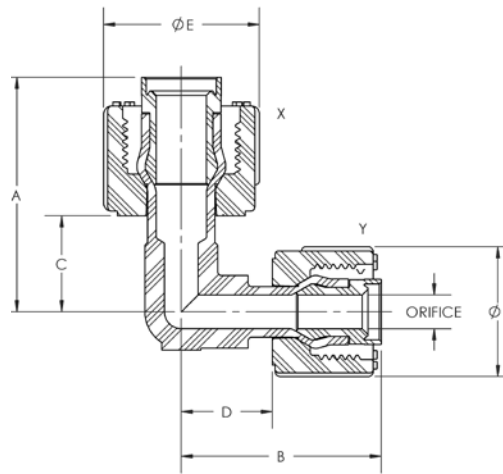
Union Elbow (TightINSERT) All (Female x Female)

Part No.	Connection Size	Orifice	A	B	C
NX-UE4TN-3	1/4"	0.16	1.15	0.50	0.68
NX-UE6TN-3	3/8"	0.25	1.48	0.68	0.97
NX-UE8TN-3	1/2"	0.38	1.74	0.71	1.16
NX-UE12TN-3	3/4"	0.63	2.11	0.88	1.56
NX-UE16TN-3	1"	0.87	2.56	1.10	1.97

All dimensions are in inches and for reference only.

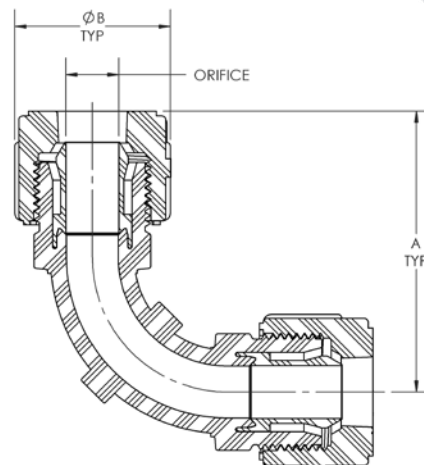
Union Elbow Reducer (TightINSERT) All
(Female x Female)

Part No.	X Connection Size	Y Connection Size	Orifice	A	B	C	D	E	F
NX-UE6T4TN-3	3/8"	1/4"	0.16	1.48	1.15	0.68	0.50	0.97	0.68
NX-UE8T6TN-3	1/2"	3/8"	0.25	1.74	1.48	0.71	0.68	1.16	0.97
NX-UE12T8TN-3	3/4"	1/2"	0.38	2.11	1.74	0.88	0.71	1.56	1.16
NX-UE16T12TN-3	1"	3/4"	0.63	2.56	2.11	1.10	0.88	1.97	1.56



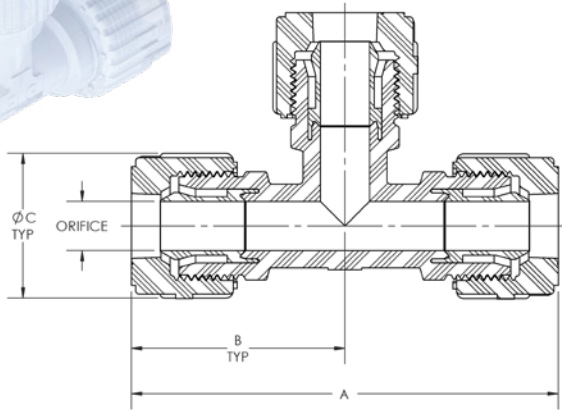
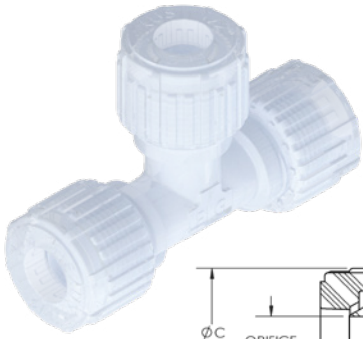
Union Elbow Sweep
(Male x Male)

Part No.	Tube Size	Orifice	A	B
NX-UES44N-3	1/4" x 5/32"	0.16	1.49	0.68
NX-UES66N-3	3/8" x 1/4"	0.31	1.82	0.97
NX-UES88N-3	1/2" x 3/8"	0.39	2.09	1.16
NX-UES1212N-3	3/4" x 5/8"	0.63	2.50	1.56
NX-UES1616N-3	1" x 7/8"	0.87	3.01	1.97



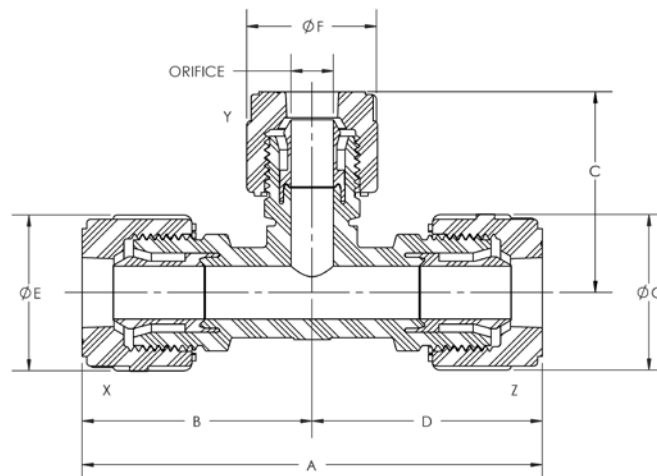
NexusConnect®

Fittings



Union Tee (Male x Male x Male)					
Part No.	Tube Size	Orifice	A	B	C
NX-UT4N-3	1/4" x 5/32"	0.16	2.29	1.14	0.68
NX-UT6N-3	3/8" x 1/4"	0.31	2.99	1.49	0.97
NX-UT8N-3	1/2" x 3/8"	0.39	3.42	1.71	1.16
NX-UT12N-3	3/4" x 5/8"	0.63	4.27	2.14	1.56
NX-UT16N-3	1" x 7/8"	0.87	5.14	2.57	1.97

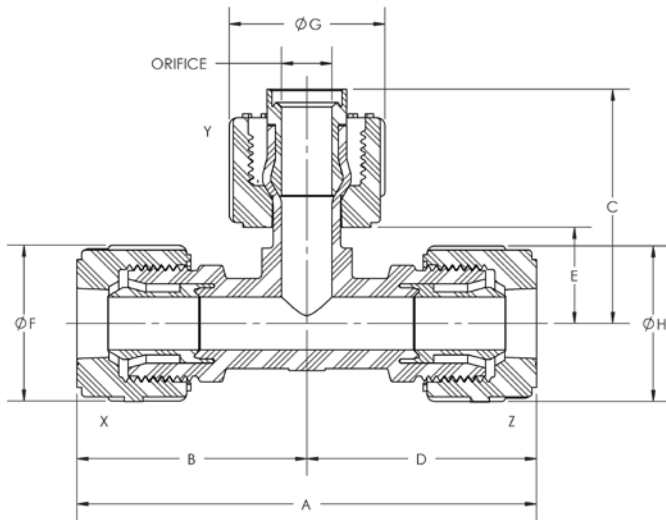
Union Tee Reducer (Male x Male x Male)											
Part No.	X Tube Size	Y Tube Size	Z Tube Size	Orifice	A	B	C	D	E	F	G
NX-UT4-6-4N-3	1/4" x 5/32"	3/8" x 1/4"	1/4" x 5/32"	0.16	2.29	1.14	1.49	1.14	0.68	0.97	0.68
NX-UT6-4-6N-3	3/8" x 1/4"	1/4" x 5/32"	3/8" x 1/4"	0.16	2.99	1.49	1.14	1.49	0.97	0.68	0.97
NX-UT6-8-6N-3	3/8" x 1/4"	1/2" x 3/8"	3/8" x 1/4"	0.31	2.99	1.49	1.71	1.49	0.97	1.16	0.97
NX-UT8-4-8N-3	1/2" x 3/8"	1/4" x 5/32"	1/2" x 3/8"	0.16	3.42	1.71	1.14	1.71	1.16	0.68	1.16
NX-UT8-6-8N-3	1/2" x 3/8"	3/8" x 1/4"	1/2" x 3/8"	0.31	3.42	1.71	1.49	1.71	1.16	0.97	1.16
NX-UT8-12-8N-3	1/2" x 3/8"	3/4" x 5/8"	1/2" x 3/8"	0.39	3.42	1.71	2.14	1.71	1.16	1.56	1.16
NX-UT12-8-12N-3	3/4" x 5/8"	1/2" x 3/8"	3/4" x 5/8"	0.39	4.27	2.14	1.71	2.14	1.56	1.16	1.56
NX-UT12-16-12N-3	3/4" x 5/8"	1" x 7/8"	3/4" x 5/8"	0.63	4.27	2.14	2.57	2.14	1.56	1.97	1.56
NX-UT16-12-16N-3	1" x 7/8"	3/4" x 5/8"	1" x 7/8"	0.63	5.14	2.57	2.14	2.57	1.97	1.56	1.97



All dimensions are in inches and for reference only.

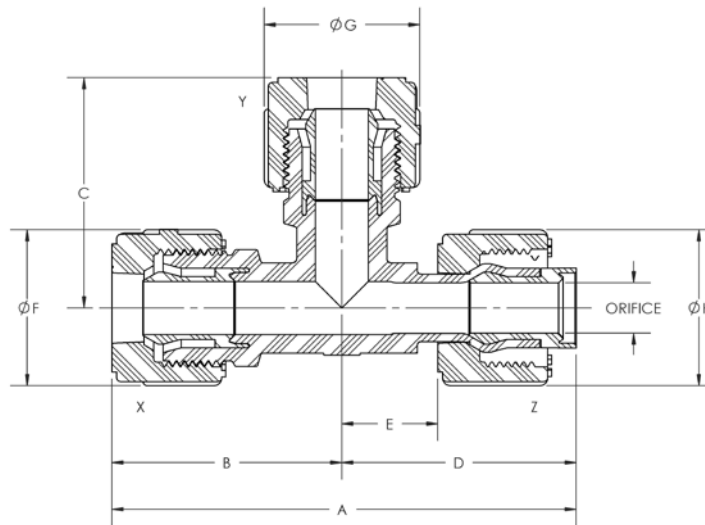
Union Tee (TightINSERT) Branch
(Male x Female x Male)

Part No.	X Tube Size	Y Connection Size	Z Tube Size	Orifice	A	B	C	D	E	F	G	H
NX-UT4-4T-4N-3	1/4" x 5/32"	1/4"	1/4" x 5/32"	0.16	2.29	1.14	1.15	1.14	0.50	0.68	0.68	0.68
NX-UT4-6T-4N-3	1/4" x 5/32"	3/8"	1/4" x 5/32"	0.16	2.29	1.14	1.48	1.14	0.68	0.68	0.97	0.68
NX-UT6-4T-6N-3	3/8" x 1/4"	1/4"	3/8" x 1/4"	0.16	2.99	1.49	1.15	1.49	0.50	0.97	0.68	0.97
NX-UT6-6T-6N-3	3/8" x 1/4"	3/8"	3/8" x 1/4"	0.25	2.99	1.49	1.48	1.49	0.68	0.97	0.97	0.97
NX-UT6-8T-6N-3	3/8" x 1/4"	1/2"	3/8" x 1/4"	0.31	2.99	1.49	1.74	1.49	0.71	0.97	1.16	0.97
NX-UT8-6T-8N-3	1/2" x 3/8"	3/8"	1/2" x 3/8"	0.25	3.42	1.71	1.48	1.71	0.68	1.16	0.97	1.16
NX-UT8-8T-8N-3	1/2" x 3/8"	1/2"	1/2" x 3/8"	0.38	3.42	1.71	1.74	1.71	0.71	1.16	1.16	1.16
NX-UT8-12T-8N-3	1/2" x 3/8"	3/4"	1/2" x 3/8"	0.39	3.42	1.71	2.11	1.71	0.88	1.16	1.56	1.16
NX-UT12-8T-12N-3	3/4" x 5/8"	1/2"	3/4" x 5/8"	0.38	4.27	2.14	1.74	2.14	0.71	1.56	1.16	1.56
NX-UT12-12T-12N-3	3/4" x 5/8"	3/4"	3/4" x 5/8"	0.63	4.27	2.14	2.11	2.14	0.88	1.56	1.56	1.56
NX-UT12-16T-12N-3	3/4" x 5/8"	1"	3/4" x 5/8"	0.63	4.27	2.14	2.56	2.14	1.10	1.56	1.97	1.56
NX-UT16-12T-16N-3	1" x 7/8"	3/4"	1" x 7/8"	0.63	5.14	2.57	2.11	2.57	0.88	1.97	1.56	1.97
NX-UT16-16T-16N-3	1" x 7/8"	1"	1" x 7/8"	0.87	5.14	2.57	2.56	2.57	1.10	1.97	1.97	1.97



Union Tee (TightINSERT) Run (Male x Male x Female)

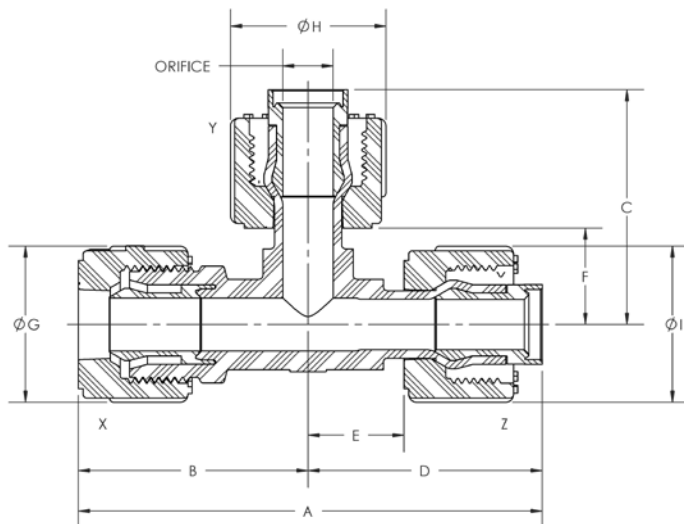
Part No.	X Tube Size	Y Tube Size	Z Connection Size	Orifice	A	B	C	D	E	F	G	H
NX-UT4-4-4TN-3	1/4" x 5/32"	1/4" x 5/32"	1/4"	0.16	2.30	1.14	1.14	1.15	0.50	0.68	0.68	0.68
NX-UT6-4-6TN-3	3/8" x 1/4"	1/4" x 5/32"	3/8"	0.16	2.98	1.49	1.14	1.48	0.68	0.97	0.68	0.97
NX-UT6-6-4TN-3	3/8" x 1/4"	3/8" x 1/4"	1/4"	0.16	2.65	1.49	1.49	1.15	0.50	0.97	0.97	0.68
NX-UT6-6-6TN-3	3/8" x 1/4"	3/8" x 1/4"	3/8"	0.25	2.98	1.49	1.49	1.48	0.68	0.97	0.97	0.97
NX-UT8-8-6TN-3	1/2" x 3/8"	1/2" x 3/8"	3/8"	0.25	3.19	1.71	1.71	1.48	0.68	1.16	1.16	0.97
NX-UT8-6-8TN-3	1/2" x 3/8"	3/8" x 1/4"	1/2"	0.31	3.45	1.71	1.49	1.74	0.71	1.16	0.97	1.16
NX-UT8-8-8TN-3	1/2" x 3/8"	1/2" x 3/8"	1/2"	0.38	3.45	1.71	1.71	1.74	0.71	1.16	1.16	1.16
NX-UT12-8-12TN-3	3/4" x 5/8"	1/2" x 3/8"	3/4"	0.39	4.24	2.14	1.71	2.11	0.88	1.56	1.16	1.56
NX-UT12-12-8TN-3	3/4" x 5/8"	3/4" x 5/8"	1/2"	0.38	3.88	2.14	2.14	1.74	0.71	1.56	1.56	1.16
NX-UT12-12-12TN-3	3/4" x 5/8"	3/4" x 5/8"	3/4"	0.63	4.24	2.14	2.14	2.11	0.88	1.56	1.56	1.56
NX-UT16-16-12TN-3	1" x 7/8"	1" x 7/8"	3/4"	0.63	4.68	2.57	2.57	2.11	0.88	1.97	1.97	1.56
NX-UT16-12-16TN-3	1" x 7/8"	3/4" x 5/8"	1"	0.63	5.13	2.57	2.14	2.56	1.10	1.97	1.56	1.97
NX-UT16-16-16TN-3	1" x 7/8"	1" x 7/8"	1"	0.87	5.13	2.57	2.57	2.56	1.10	1.97	1.97	1.97



All dimensions are in inches and for reference only.

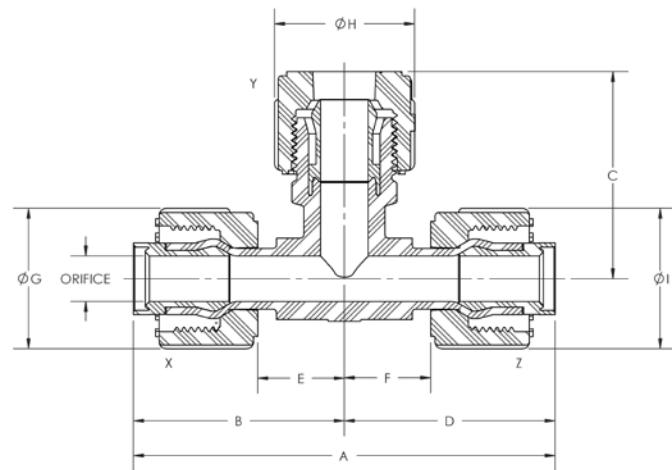
Union Tee (TightINSERT) Branch-Run (Male x Female x Female)

Part No.	X Tube Size	Y Connection Size	Z Connection Size	Orifice	A	B	C	D	E	F	G	H	I
NX-UT4-4T-4TN-3	1/4" x 5/32"	1/4"	1/4"	0.16	2.30	1.14	1.15	1.15	0.50	0.50	0.68	0.68	0.68
NX-UT6-4T-4TN-3	3/8" x 1/4"	1/4"	1/4"	0.16	2.64	1.49	1.15	1.15	0.50	0.50	0.98	0.68	0.68
NX-UT6-4T-6TN-3	3/8" x 1/4"	1/4"	3/8"	0.16	2.98	1.49	1.15	1.48	0.68	0.50	0.97	0.68	0.97
NX-UT6-6T-4TN-3	3/8" x 1/4"	3/8"	1/4"	0.16	2.64	1.49	1.48	1.15	0.50	0.68	0.97	0.97	0.68
NX-UT6-6T-6TN-3	3/8" x 1/4"	3/8"	3/8"	0.25	2.98	1.49	1.48	1.48	0.68	0.68	0.97	0.97	0.97
NX-UT8-6T-6TN-3	1/2" x 3/8"	3/8"	3/8"	0.25	3.19	1.71	1.48	1.48	0.68	0.68	1.16	0.97	0.97
NX-UT8-6T-8TN-3	1/2" x 3/8"	3/8"	1/2"	0.25	3.45	1.71	1.48	1.74	0.71	0.68	1.16	0.97	1.16
NX-UT8-8T-6TN-3	1/2" x 3/8"	1/2"	3/8"	0.25	3.19	1.71	1.74	1.48	0.68	0.71	1.16	1.16	0.97
NX-UT8-8T-8TN-3	1/2" x 3/8"	1/2"	1/2"	0.38	3.45	1.71	1.74	1.74	0.71	0.71	1.16	1.16	1.16
NX-UT12-8T-8TN-3	3/4" x 5/8"	1/2"	1/2"	0.38	4.04	2.14	1.74	1.74	0.71	0.71	1.56	1.16	1.16
NX-UT12-8T-12TN-3	3/4" x 5/8"	1/2"	3/4"	0.38	4.24	2.14	1.74	2.11	0.88	0.71	1.56	1.16	1.56
NX-UT12-12T-8TN-3	3/4" x 5/8"	3/4"	1/2"	0.38	4.04	2.14	2.11	1.74	0.88	0.88	1.56	1.56	1.16
NX-UT12-12T-12TN-3	3/4" x 5/8"	3/4"	3/4"	0.63	4.24	2.14	2.11	2.11	0.88	0.88	1.56	1.56	1.56
NX-UT16-12T-12TN-3	1" x 7/8"	3/4"	3/4"	0.63	4.68	2.57	2.11	2.11	0.88	0.88	1.97	1.56	1.56
NX-UT16-12T-16TN-3	1" x 7/8"	3/4"	1"	0.63	5.13	2.57	2.11	2.56	1.10	0.88	1.97	1.56	1.97
NX-UT16-16T-12TN-3	1" x 7/8"	1"	3/4"	0.63	4.68	2.57	2.56	2.11	0.88	1.10	1.97	1.97	1.56
NX-UT16-16T-16TN-3	1" x 7/8"	1"	1"	0.87	5.13	2.57	2.56	2.56	1.10	1.10	1.97	1.97	1.97



Union Tee (TightINSERT) Run-Run (Female x Male x Female)

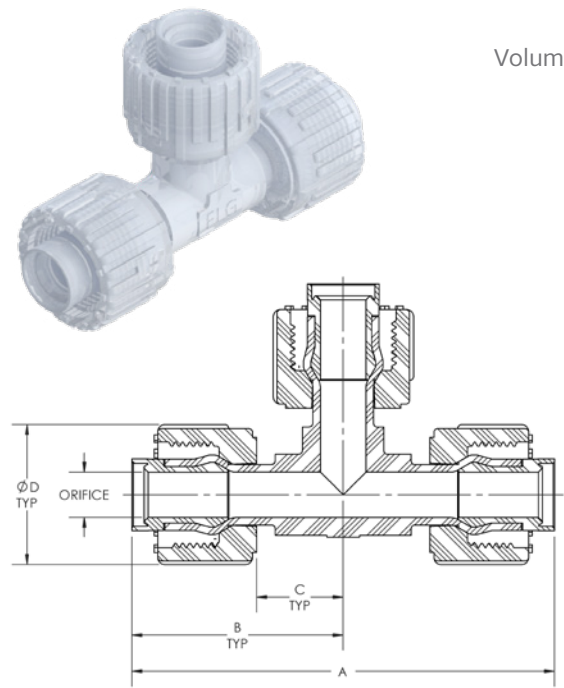
Part No.	X Connection Size	Y Tube Size	Z Connection Size	Orifice	A	B	C	D	E	F	G	H	I
NX-UT4T-4-4TN-3	1/4"	1/4" x 5/32"	1/4"	0.16	2.31	1.15	1.14	1.15	0.50	0.50	0.68	0.68	0.68
NX-UT4T-6-4TN-3	1/4"	3/8" x 1/4"	1/4"	0.16	2.31	1.15	1.49	1.15	0.50	0.50	0.68	0.97	0.68
NX-UT6T-4-6TN-3	3/8"	1/4" x 5/32"	3/8"	0.16	2.97	1.48	1.14	1.48	0.68	0.68	0.97	0.68	0.97
NX-UT6T-6-6TN-3	3/8"	3/8" x 1/4"	3/8"	0.25	2.97	1.48	1.49	1.48	0.68	0.68	0.97	0.97	0.97
NX-UT6T-8-6TN-3	3/8"	1/2" x 3/8"	3/8"	0.25	2.97	1.48	1.71	1.48	0.68	0.68	0.97	1.16	0.97
NX-UT8T-6-8TN-3	1/2"	3/8" x 1/4"	1/2"	0.31	3.48	1.74	1.49	1.74	0.71	0.71	1.16	0.97	1.16
NX-UT8T-8-8TN-3	1/2"	1/2" x 3/8"	1/2"	0.38	3.48	1.74	1.71	1.74	0.71	0.71	1.16	1.16	1.16
NX-UT8T-12-8TN-3	1/2"	3/4" x 5/8"	1/2"	0.38	3.48	1.74	2.14	1.74	0.71	0.71	1.16	1.56	1.16
NX-UT12T-8-12TN-3	3/4"	1/2" x 3/8"	3/4"	0.39	4.21	2.11	1.71	2.11	0.88	0.88	1.56	1.16	1.56
NX-UT12T-12-12TN-3	3/4"	3/4" x 5/8"	3/4"	0.63	4.21	2.11	2.14	2.11	0.88	0.88	1.56	1.56	1.56
NX-UT12T-16-12TN-3	3/4"	1" x 7/8"	3/4"	0.63	4.21	2.11	2.57	2.11	0.88	0.88	1.56	1.97	1.56
NX-UT16T-12-16TN-3	1"	3/4" x 5/8"	1"	0.63	5.12	2.56	2.14	2.56	1.10	1.10	1.97	1.56	1.97
NX-UT16T-16-16TN-3	1"	1" x 7/8"	1"	0.87	5.12	2.56	2.57	2.56	1.10	1.10	1.97	1.97	1.97



All dimensions are in inches and for reference only.

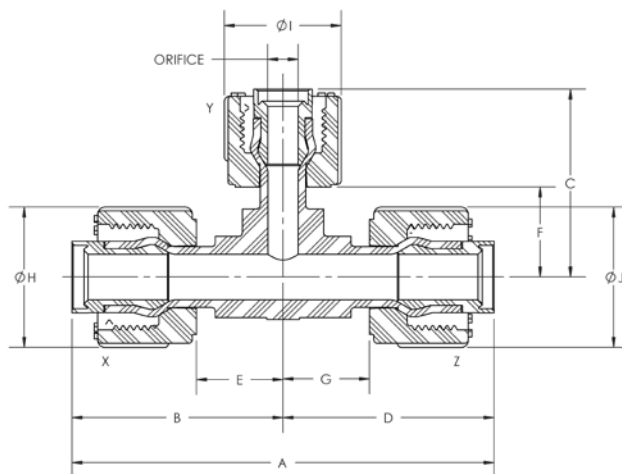
Union Tee (TightINSERT) All
(Female x Female x Female)

Part No.	Connection Size	Orifice	A	B	C	D
NX-UT4TN-3	1/4"	0.16	2.31	1.15	0.50	0.68
NX-UT6TN-3	3/8"	0.25	2.97	1.48	0.68	0.97
NX-UT8TN-3	1/2"	0.38	3.48	1.74	0.71	1.16
NX-UT12TN-3	3/4"	0.63	4.21	2.11	0.88	1.56
NX-UT16TN-3	1"	0.87	5.12	2.56	1.10	1.97

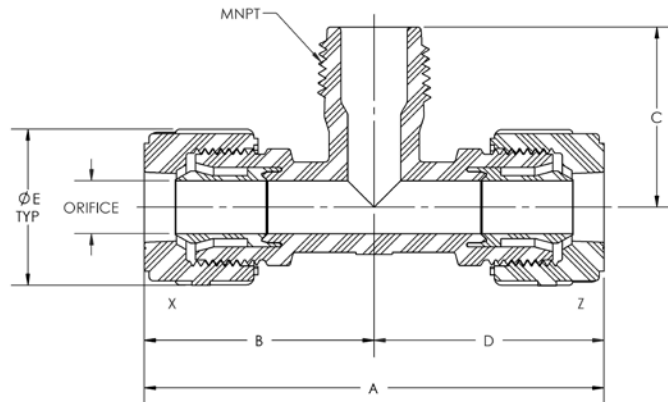


Union Tee Reducer (TightINSERT) All
(Female x Female x Female)

Part No.	X Connection Size	Y Connection Size	Z Connection Size	Orifice	A	B	C	D	E	F	G	H	I	J
NX-UT4T-6T-4TN-3	1/4"	3/8"	1/4"	0.16	2.31	1.15	1.48	1.15	0.50	0.68	0.50	0.68	0.97	0.68
NX-UT6T-4T-6TN-3	3/8"	1/4"	3/8"	0.16	2.97	1.48	1.15	1.48	0.68	0.50	0.68	0.97	0.68	0.97
NX-UT6T-8T-6TN-3	3/8"	1/2"	3/8"	0.25	2.97	1.48	1.74	1.48	0.68	0.71	0.68	0.97	1.16	0.97
NX-UT8T-6T-8TN-3	1/2"	3/8"	1/2"	0.25	3.48	1.74	1.48	1.74	0.71	0.68	0.71	1.16	0.97	1.16
NX-UT8T-12T-8TN-3	1/2"	3/4"	1/2"	0.38	3.48	1.74	2.11	1.74	0.71	0.88	0.71	1.16	1.56	1.16
NX-UT12T-8T-12TN-3	3/4"	1/2"	3/4"	0.38	4.21	2.11	1.74	2.11	0.88	0.71	0.88	1.56	1.16	1.56
NX-UT12T-16T-12TN-3	3/4"	1"	3/4"	0.63	4.21	2.11	2.56	2.11	0.88	1.10	0.88	1.56	1.97	1.56
NX-UT16T-12T-16TN-3	1"	3/4"	1"	0.63	6.12	2.56	2.30	2.56	1.10	0.88	1.10	1.97	1.56	1.97

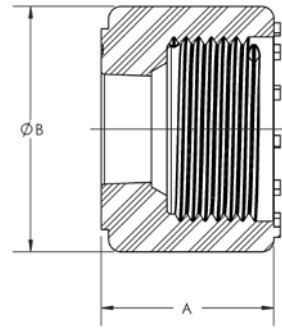


Male Branch Tee (Male x MNPT x Male)									
Part No.	X Tube Size	Z Tube Size	MNPT Size	Orifice	A	B	C	D	E
NX-MBT44-2N-3	1/4" x 5/32"	1/4" x 5/32"	1/8"	0.16	2.29	1.14	0.98	1.14	0.68
NX-MBT44-4N-3	1/4" x 5/32"	1/4" x 5/32"	1/4"	0.16	2.29	1.14	0.98	1.14	0.68
NX-MBT44-6N-3	1/4" x 5/32"	1/4" x 5/32"	3/8"	0.16	2.29	1.14	1.04	1.14	0.68
NX-MBT66-2N-3	3/8" x 1/4"	3/8" x 1/4"	1/8"	0.20	2.99	1.49	0.96	1.49	0.97
NX-MBT66-4N-3	3/8" x 1/4"	3/8" x 1/4"	1/4"	0.25	2.99	1.49	1.10	1.49	0.97
NX-MBT66-6N-3	3/8" x 1/4"	3/8" x 1/4"	3/8"	0.31	2.99	1.49	1.10	1.49	0.97
NX-MBT66-8N-3	3/8" x 1/4"	3/8" x 1/4"	1/2"	0.31	2.99	1.49	1.26	1.49	0.97
NX-MBT88-4N-3	1/2" x 3/8"	1/2" x 3/8"	1/4"	0.25	3.42	1.71	1.18	1.71	1.16
NX-MBT88-6N-3	1/2" x 3/8"	1/2" x 3/8"	3/8"	0.39	3.42	1.71	1.18	1.71	1.16
NX-MBT88-8N-3	1/2" x 3/8"	1/2" x 3/8"	1/2"	0.39	3.42	1.71	1.34	1.71	1.16
NX-MBT88-12N-3	1/2" x 3/8"	1/2" x 3/8"	3/4"	0.39	3.42	1.71	1.41	1.71	1.16
NX-MBT1212-8N-3	3/4" x 5/8"	3/4" x 5/8"	1/2"	0.47	4.27	2.14	1.50	2.14	1.56
NX-MBT1212-12N-3	3/4" x 5/8"	3/4" x 5/8"	3/4"	0.63	4.27	2.14	1.57	2.14	1.56
NX-MBT1212-16N-3	3/4" x 5/8"	3/4" x 5/8"	1"	0.63	4.27	2.14	1.57	2.14	1.56
NX-MBT1616-12N-3	1" x 7/8"	1" x 7/8"	3/4"	0.63	5.14	2.57	1.77	2.57	1.97
NX-MBT1616-16N-3	1" x 7/8"	1" x 7/8"	1"	0.87	5.14	2.57	1.93	2.57	1.97

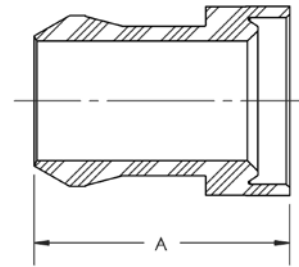


All dimensions are in inches and for reference only.

Insert Nut			
Part No.	Connection Size	A	B
NX-N4-3	1/4"	0.61	0.68
NX-N6-3	3/8"	0.75	0.97
NX-N8-3	1/2"	0.82	1.16
NX-N12-3	3/4"	0.99	1.56
NX-N16-3	1"	1.09	1.97



Sleeve		
Part No.	Tube Size	A
NX-S4-3	1/4" x 5/32"	0.49
NX-S6-3	3/8" x 1/4"	0.63
NX-S8-3	1/2" x 3/8"	0.80
NX-S12-3	3/4" x 5/8"	0.95
NX-S16-3	1" x 7/8"	1.22

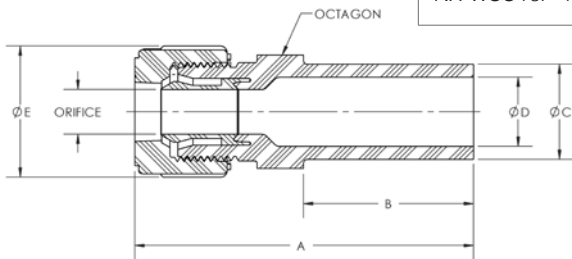


NexusConnect®

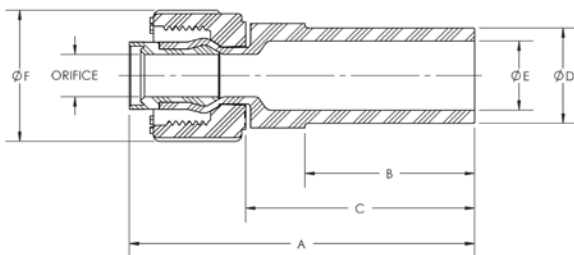
Fittings



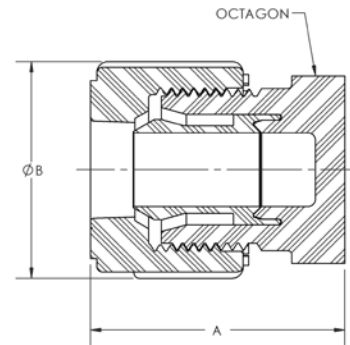
Weld Straight Connector (Pipe x Male)									
Part No.	Pipe Size	Tube Size	Orifice	A	B	C	D	E	Octagon
NX-WSC4P-4N-3	1/4"	1/4" x 5/32"	0.16	1.54	0.55	0.54	0.35	0.68	0.59
NX-WSC4P-6N-3	1/4"	3/8" x 1/4"	0.31	1.75	0.55	0.54	0.35	0.97	0.83
NX-WSC8P-8N-3	1/2"	1/2" x 3/8"	0.39	2.99	1.50	0.84	0.61	1.16	1.00
NX-WSC8P-12N-3	1/2"	3/4" x 5/8"	0.61	3.23	1.50	0.84	0.61	1.56	1.32
NX-WSC12P-12N-3	3/4"	3/4" x 5/8"	0.63	3.24	1.50	1.05	0.81	1.56	1.32
NX-WSC12P-16N-3	3/4"	1" x 7/8"	0.88	3.54	1.50	1.05	0.81	1.97	1.69
NX-WSC16P-8N-3	1"	1/2" x 3/8"	0.39	3.07	1.50	1.32	1.03	1.16	1.69
NX-WSC16P-12N-3	1"	3/4" x 5/8"	0.63	3.33	1.50	1.32	1.03	1.56	1.69
NX-WSC16P-16N-3	1"	1" x 7/8"	0.87	3.54	1.50	1.32	1.03	1.97	1.69



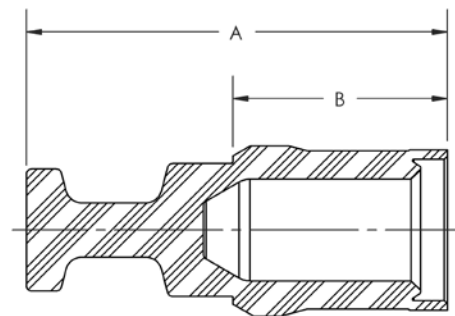
Weld Straight Connector (TightINSERT) (Pipe x Female)									
Part No.	Pipe Size	Connection Size	Orifice	A	B	C	D	E	F
NX-WSC8P-6TN-3	1/2"	3/8"	0.25	3.02	1.50	2.21	0.84	0.61	0.97
NX-WSC8P-8TN-3	1/2"	1/2"	0.38	3.05	1.50	2.02	0.84	0.61	1.16
NX-WSC12P-8TN-3	3/4"	1/2"	0.38	3.32	1.50	2.29	1.05	0.81	1.16
NX-WSC12P-12TN-3	3/4"	3/4"	0.63	3.37	1.50	2.14	1.05	0.81	1.56
NX-WSC16P-12TN-3	1"	3/4"	0.63	3.35	1.50	2.12	1.32	1.03	1.56
NX-WSC16P-16TN-3	1"	1"	0.87	3.55	1.48	1.96	1.32	1.03	1.97



Cap				
Part No.	Tube Size	A	B	Octagon
NX-CAP4N-3	1/4" x 5/32"	0.99	0.68	0.59
NX-CAP6N-3	3/8" x 1/4"	1.21	0.97	0.83
NX-CAP8N-3	1/2" x 3/8"	1.36	1.16	1.00
NX-CAP12N-3	3/4" x 5/8"	1.73	1.56	1.32
NX-CAP16N-3	1" x 7/8"	2.04	1.97	1.69



Cap Sleeve			
Part No.	Tube Size	A	B
NX-CS4	1/4"	1.18	0.46
NX-CS6	3/8"	1.33	0.61
NX-CS8	1/2"	1.55	0.79
NX-CS12	3/4"	1.78	0.98
NX-CS16	1"	2.11	1.23



All dimensions are in inches and for reference only.



NexusConnect® TORQUE WRENCHES

Fastens PFA Nexus Connect® insert nuts to the required torque value which ensures leak-free fitting assemblies.

KEY FEATURES

- Wrenches are calibrated to preset torque values based on nut size.
- Wrench claw clicks over when required torque value is reached.
- Ratcheting action allows the nut to be rapidly tightened, making jobs easier and faster.
- Wrenches fit in the palm of a hand easily allowing use in hard to reach places.
- Claw material: stainless steel.
- Handle material: green anodized aluminum.

NexusConnect® Torque Wrenches Patented	
Nut Size	Part No.
1/4"	NXW4-3
3/8"	NXW6-3
1/2"	NXW8-3
3/4"	NXW12-3
1"	NXW16-3
Complete Set (All sizes listed above)	NXWS-3

RATCHETING ACTION

Rapidly tighten nuts to make assemblies easier and faster.



CLICK OVER FEATURE

The claw clicks over when wrench reaches required torque value.



NexusConnect®

OPERATING INSTRUCTIONS

STEP 1

- Make sure claw is in start position, as shown below in picture A.
- Align teeth on claw with splines on nut, as shown here in step 1.
- Grip handle firmly and rotate clockwise to tighten nut.



STEP 2

- Rotate handle in a counter clockwise direction, as shown here in step 2.
- Grip next set of splines with claw and rotate clockwise.
- Continue steps 1 and 2 until claw clicks over, as shown in step 3 and picture B.



STEP 3

- Snap claw back to its start position, as shown in picture A.
- Tighten nut one more time until claw clicks over.

Note: Nut must be tightened twice with wrench.



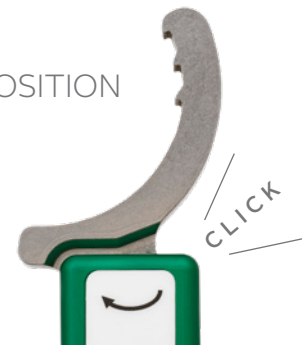
PICTURE A.

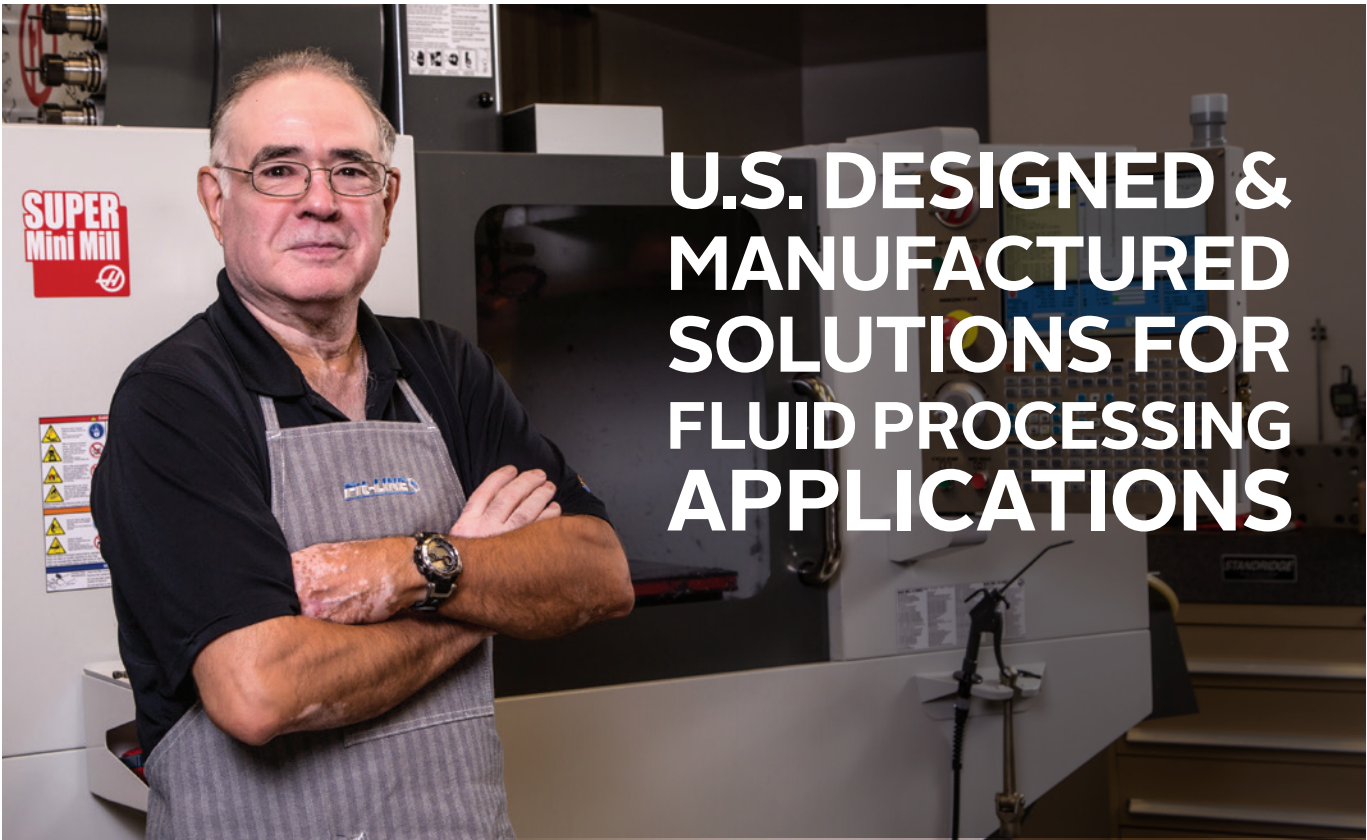
START POSITION



PICTURE B.

FINISH, CLICK OVER, POSITION





U.S. DESIGNED & MANUFACTURED SOLUTIONS FOR FLUID PROCESSING APPLICATIONS

At Fit-Line Global, we engineer and supply the industry's most popular fitting configurations. That means when you need a fitting, it's available and ready to ship, allowing you to stay up and running and avoid costly delays.

From standard fittings and patented tube flaring systems, to customized designs that are developed, fabricated and tested in our state-of-the-art facility, Fit-Line Global has the expertise and the know-how

to ensure you get the most reliable, dependable components delivered on time, all the time. At our core, we're a company of problem solvers.

Our employees are comprised of some of the best U.S. mechanical engineers, fabricators, senior toolmakers and process technicians with the curiosity, talent, insights and ideas to create the most advanced, dependable and leak-free solutions for all of your fluid processing needs.



ONSITE PRECISION WHEN— AND WHERE—IT COUNTS

We saw the need for an on-site production flaring system that can produce precise, leak-free, repeatable tube flares. The solution? Our patented TruFLARE™ tube flaring system. TruFLARE™ and our Mobile TruFLARE™ system replicate the close tolerances consistent with our patented and proven TightFLARE™ technology. To date, application and installation usage has shown TruFLARE™ tube flaring technology to be far superior than all other existing flaring methods in the industry.

All dimensions are in inches and for reference only.

FULL PRODUCT AND PACKAGING TRACEABILITY. ZERO COMPROMISES.



Having our materials, manufacturing and packaging in a fully traceable, closed-source system ensures the highest level of protection, component quality and contamination control.

That's why Fit-Line Global employs our own proprietary cleaning and packaging processes—including our five stage component cleaning and

rinsing procedure—all conducted in our very own Class 1000 Clean Room.

And when it comes to packaging, all of our fittings are double polyethylene bagged per SEMI-F57 standards. This will meet and exceed your exacting demands. Anything else simply won't do.

DEDICATED TO YOU



Being an ISO 9001:2015 certified company means that we consistently provide products and services that meet customer and regulatory requirements and demonstrate continuous improvement. The certification acts as an assurance that our products are being manufactured in a facility that meets the requirements of ISO a well-known quality management system standard, and is reviewed yearly by an independent auditor.

WARRANTY

Fit-Line Global warrants to the BUYER that any product sold will be free from defects in material or workmanship for a period of twelve (12) months from the date of shipment. If during the warranty period, the BUYER notifies Fit-Line Global of a defect, Fit-Line Global shall, at its option, repair or replace the defective material or workmanship. OTHER THAN AS EXPRESSLY STATED HEREIN, FIT-LINE GLOBAL MAKES NO OTHER WARRANTIES, EXPRESS OR IMPLIED, REGARDING THE PRODUCTS AND/OR SERVICES PROVIDED HEREUNDER, AND EXPRESSLY DISCLAIMS THE IMPLIED WARRANTIES OF NON-INFRINGEMENT, MERCHANTABILITY AND FITNESS FOR A PARTICULAR PURPOSE. The BUYER shall bear the cost of freight to and from Fit-Line Global's plant. BUYER agrees to accept the limits of liability as expressed in this statement to the exclusion of any and all provisions regarding statements of liability on the BUYER's own invoices, purchase orders and/or other documents.

GOODS

All descriptions and illustrations contained in Fit-Line Global's catalog, brochures, price lists, website, advertisements and all specifications, drawings and any other documents contained therein submitted with any QUOTATION to BUYER or otherwise communicated to BUYER are intended merely to present a general idea of GOODS and SERVICES (GOODS) described therein and nothing contained in any of them shall form any part of the contract.



2901 Tech Center Drive, Santa Ana, CA 92705

Phone: (714) 549-9091 Email: info@Fit-LineGlobal.com



DEDICATED TO YOU

Being an ISO 9001:2015 certified company means that we consistently provide products and services that meet customer and regulatory requirements and demonstrate continuous improvement. The certification acts as an assurance that our products are being manufactured in a facility that meets the requirements of ISO a well-known quality management system standard, and is reviewed yearly by an independent auditor.